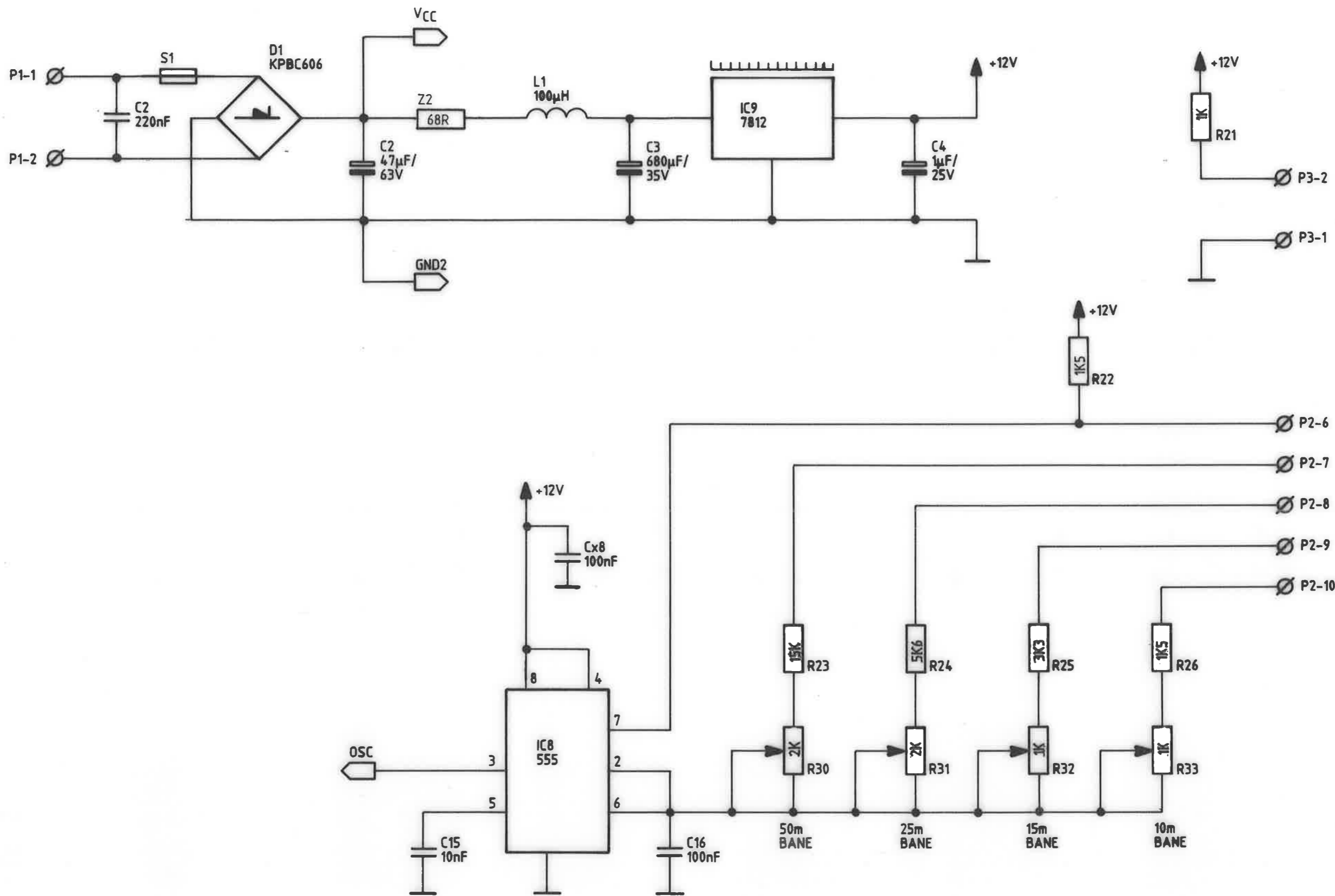


THIS DRAWING AND ITS CONTENTS ARE THE PROPERTY OF EEGHOLM AUTOMATIK AS AND MUST NOT BE COPIED, REPRODUCED, TRANSMITTED OR DISCLOSED TO ANY THIRD PARTY WITHOUT THE CONSENT OF EEGHOLM AUTOMATIK AS. CONTRAVENTION WILL BE PROSECUTED.



DENNE TEGNING OG DENS INDHOLD TILHØRER EEGHOLM AUTOMATIK AS OG MÅ IKKE UDEN TILLADELSE FRA EEGHOLM AUTOMATIK AS KOPIERES, REPRODUCERES, FOREVISES ELLER OVERLÆDES TIL TREDJEMAND. OVERTRÆDELSE RETSFORFØLGES.



Eegholm automatik as
 DK - 6400 SØNDERBORG
 TELEFON 04-42 12 12 - TELEX 5 23 13 - TELEFAX 04-43 42 19

Customer TOPO MATIK

Place

Plant

SKYDEBANESTYRING

Plant no: 77.1195.01

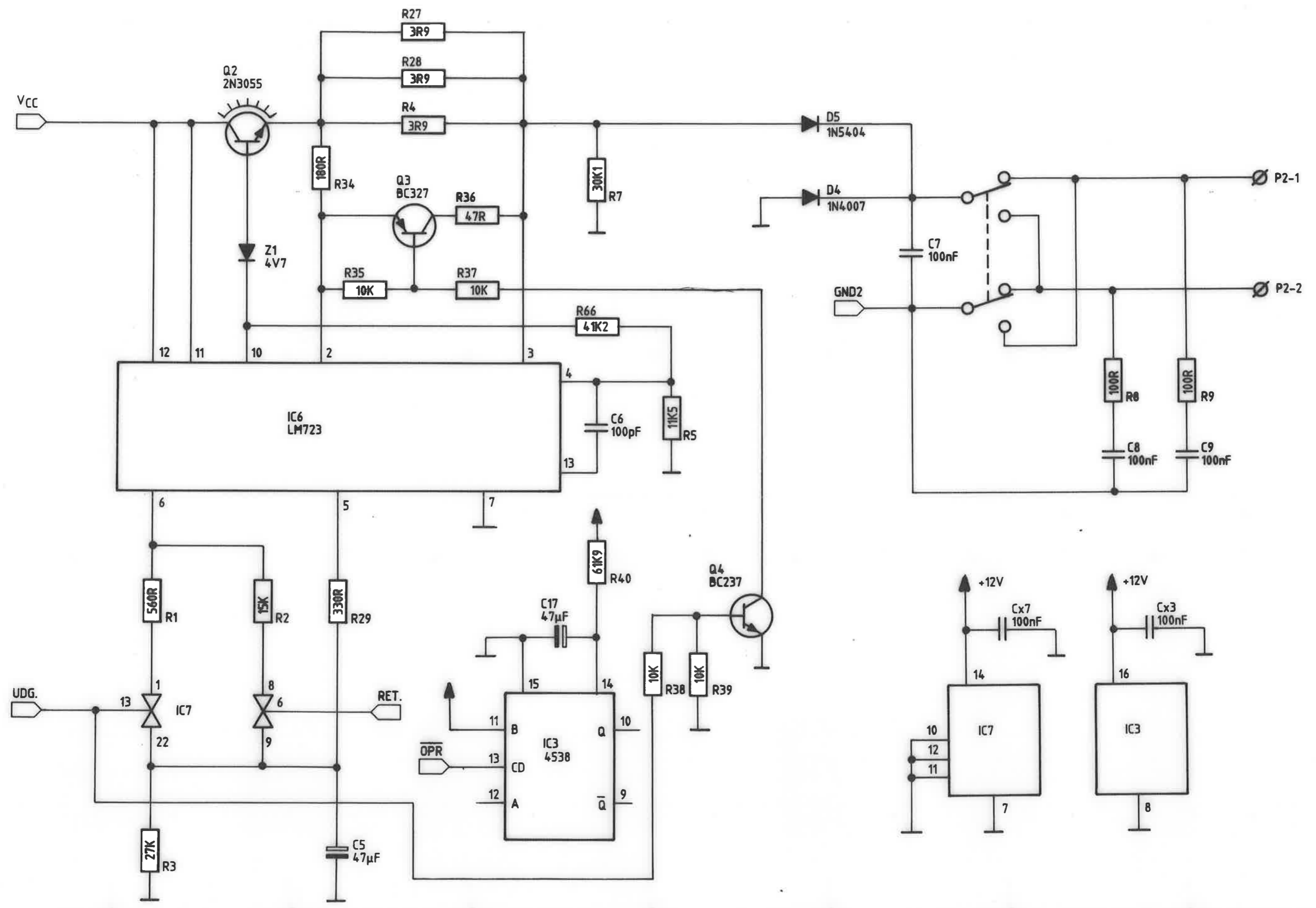
Draw no: 77.1195.51

Page 1 of 3

Edit.	Date	Draw	Const.	Contr.
1	88.01.25	BML	RS	

THIS DRAWING AND ITS CONTENTS ARE THE PROPERTY OF EEGHOLM AUTOMATIK AS AND MUST NOT BE COPIED, REPRODUCED, TRANSMITTED OR DISCLOSED TO ANY THIRD PARTY WITHOUT THE CONSENT OF EEGHOLM AUTOMATIK AS. CONTRAVENTION WILL BE PROSECUTED.

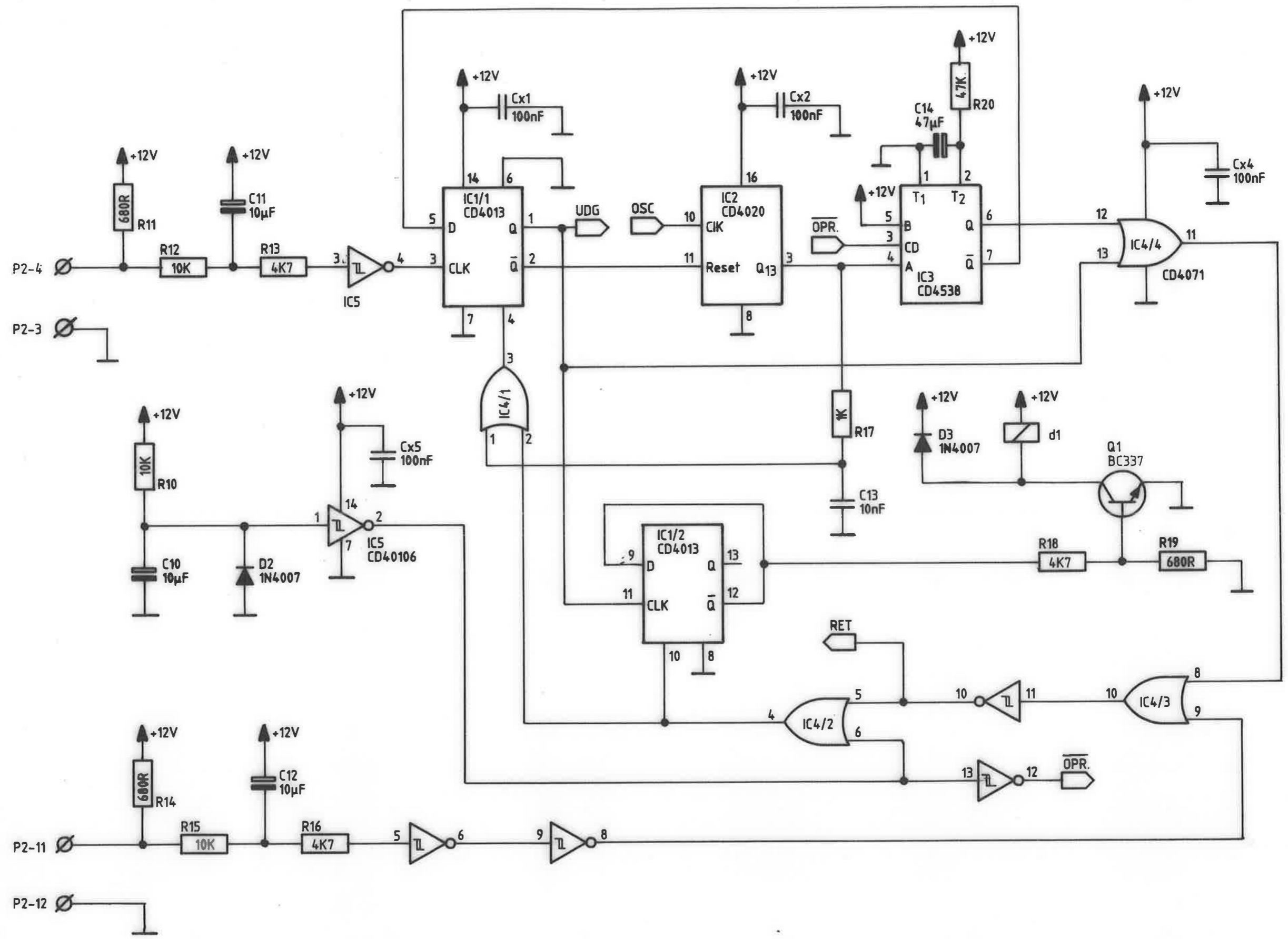
DENNE TEGNING OG DENS INDHOLD TILHØRER EEGHOLM AUTOMATIK AS OG MÅ IKKE UDEN TILLADELSE FRA EEGHOLM AUTOMATIK AS KOPIERES, REPRODUCERES, FOREVISES ELLER OVERLAADES TIL TREDJEMAND. OVERTRÆDELSE RETSPORFØLGES.



Customer		Plant no: 77.1195.01	Edit.	Date	Draw	Const.	Contr.
Place		Draw no: 77.1195.51	1	08.02.12	BML	RS	
Plant		Page of: 3/3					

THIS DRAWING AND ITS CONTENTS ARE THE PROPERTY OF EEGHOLM AUTOMATIK AS AND MUST NOT BE COPIED, REPRODUCED, TRANSMITTED OR DISCLOSED TO ANY THIRD PARTY WITHOUT THE CONSENT OF EEGHOLM AUTOMATIK AS. CONTRAVENTION WILL BE PROSECUTED.

DENNE TEGNING OG DENS INDHOLD TILHØRER EEGHOLM AUTOMATIK AS OG MÅ IKKE UDEN TILLADELSE FRA EEGHOLM AUTOMATIK AS KOPIERES, REPRODUCERES, FOREVISES ELLER OVERLAADES TIL TREDJEMAND. OVERTRÆDELSE RETSFORFØLGES.



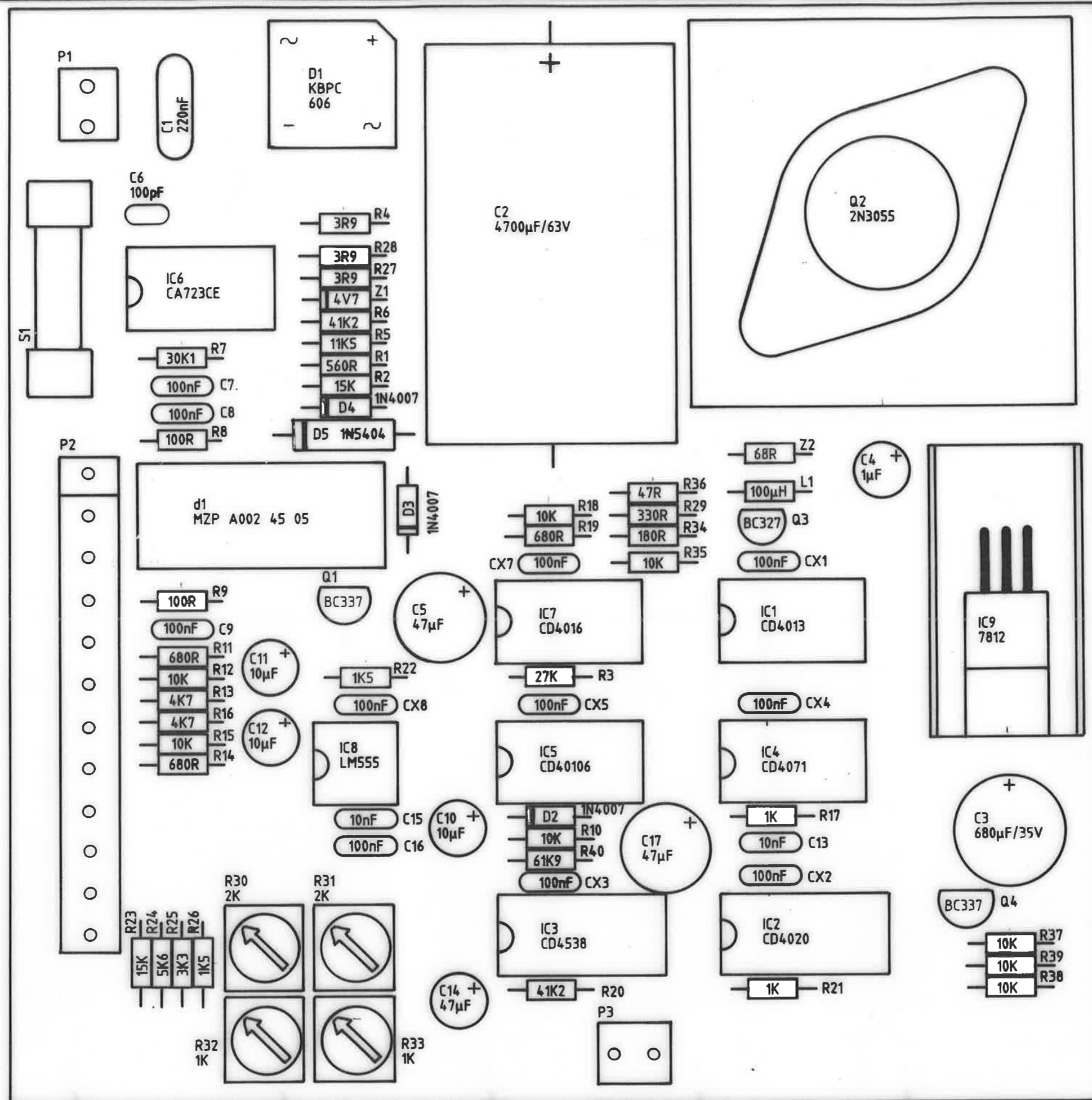
Eegholm automatik as
 DK - 6400 SØNDERBORG
 TELEFON 04-42 12 12 - TELEX 5 23 13 - TELEFAX 04-43 42 19

Customer	TOPO MATIK
Place	
Plant	

SKYDEBANESTYRING						
Plant no:	77.1195.01	Edit.	Date	Draw	Const.	Contr.
Draw no:	77.1195.51	1	88.01.25	BML	RS	
	Page 2 of 3					

THIS DRAWING AND ITS CONTENTS ARE THE PROPERTY OF EEGHOLM AUTOMATIK AS AND MUST NOT BE COPIED, REPRODUCED, TRANSMITTED OR DISCLOSED TO ANY THIRD PARTY WITHOUT THE CONSENT OF EEGHOLM AUTOMATIK AS. CONTRAVENTION WILL BE PROSECUTED.

DENNE TEGNING OG DENS INDHOLD TILHØRER EEGHOLM AUTOMATIK AS OG MÅ IKKE UDEN TILLADELSE FRA EEGHOLM AUTOMATIK AS KOPIERES, REPRODUCERES, FOREVISES ELLER OVERBLADES TIL TREDJEMAND. OVERTRÆDELSE RETSFORFØLGES.



Eegholm automatik as
 DK - 6400 SØNDERBORG
 TELEFON 04-42 12 12 - TELEFAX 04-43 42 19

Customer **TOPD MATIK**
 Place
 Plant

SKYDEANESTYRING
 Plant no: 77.1195.01
 Draw no: 77.1195.91 Page 1 of 1

Edit.	Date	Draw	Const.	Contr.
1	88.02.24	BML	RS	